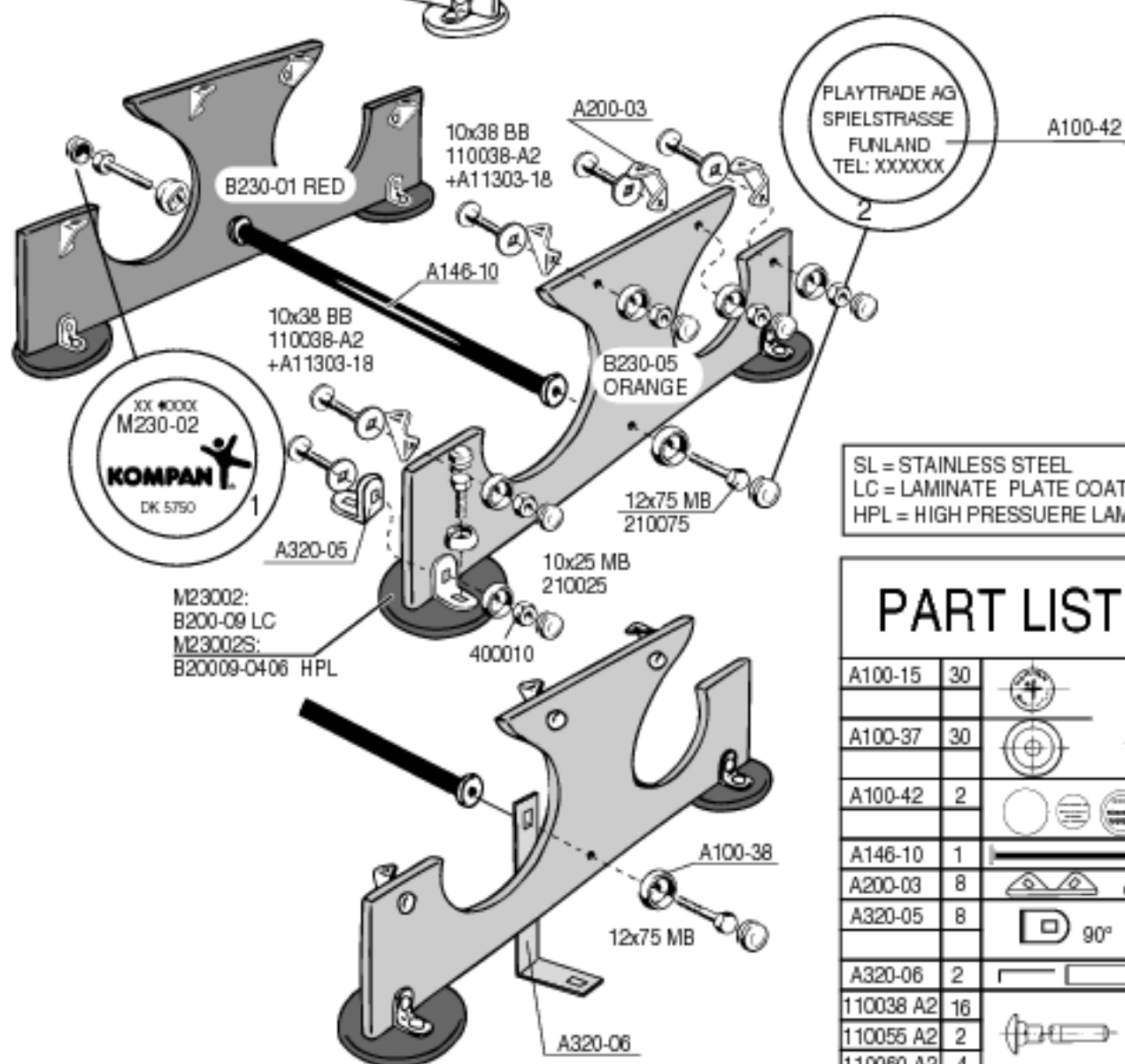


KOMPAN

M23002

M23002S

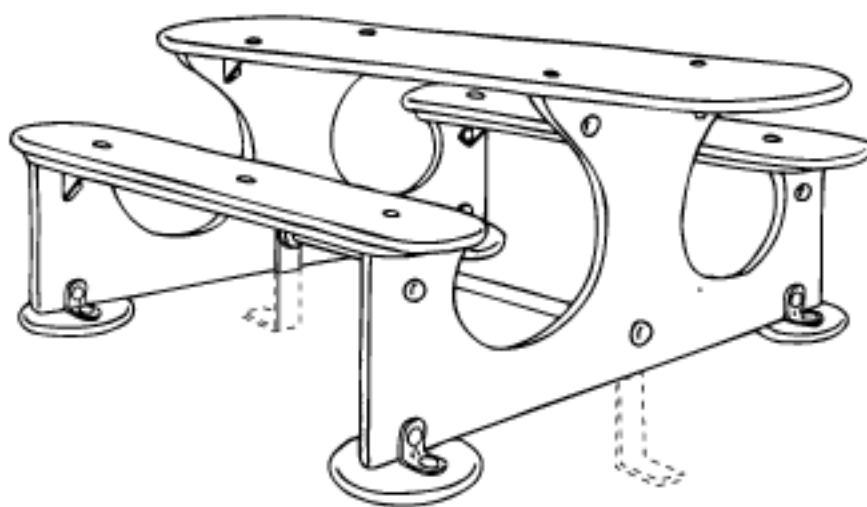
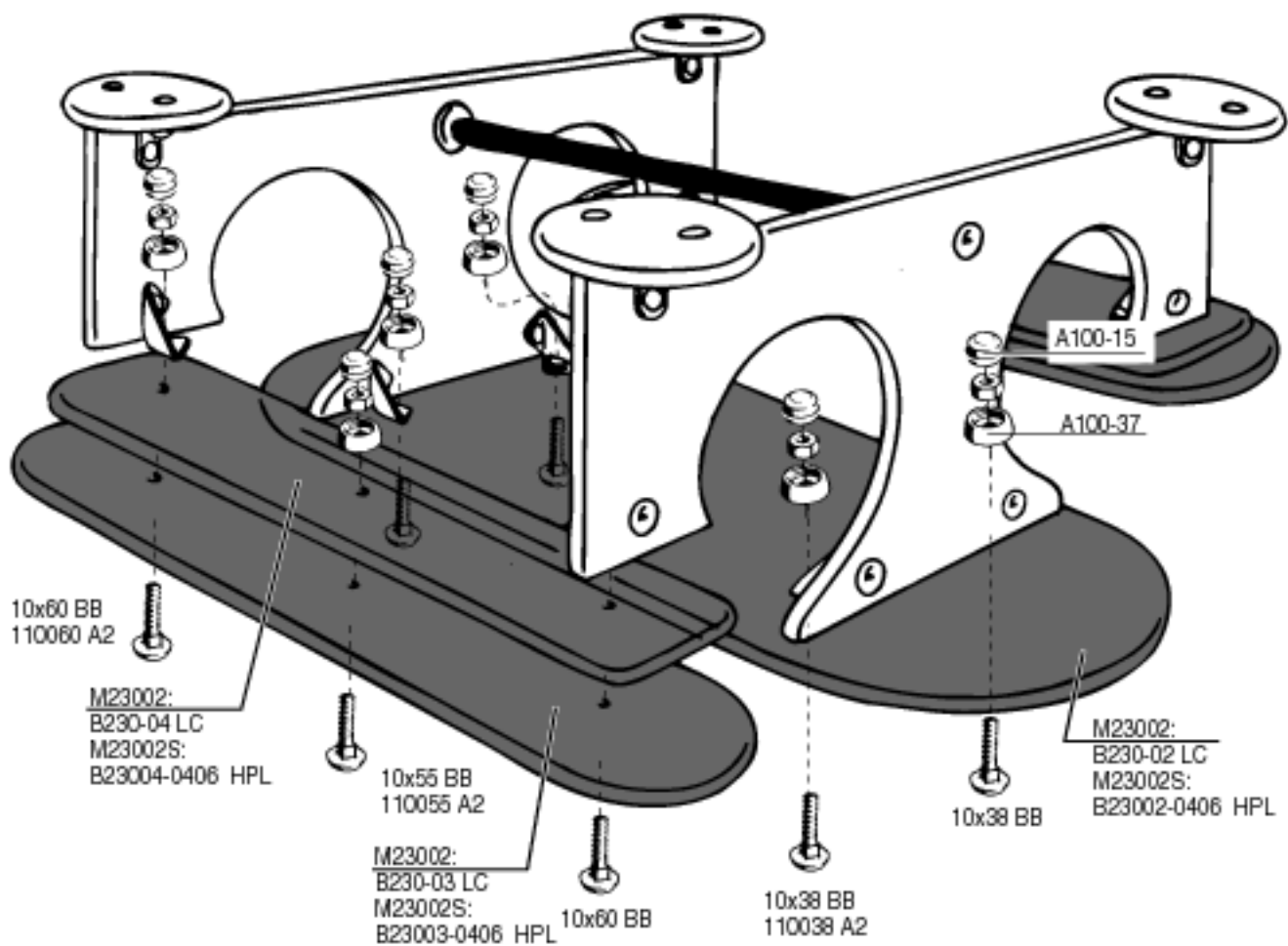
EXTENDED INSTRUCTION
010619 MSP/ANC



SL = STAINLESS STEEL
LC = LAMINATE PLATE COATED
HPL = HIGH PRESSUERE LAMINATE

PART LIST

A100-15	30	
A100-37	30	
A100-42	2	
A146-10	1	
A200-03	8	
A320-05	8	
A320-06	2	
110038 A2	16	
110055 A2	2	
110060 A2	4	
210025	8	
212075	2	
400010-A2	22	
A11303-18	20	



M23002
M23002S
010619 MSP/ANC